

# VOLTEX WATERPROOFING

## PROPERTY LINE WALL

### Sheet Metal Pile Forming Bracket

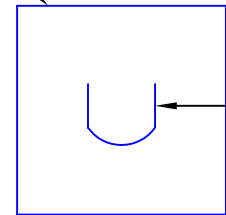
# DETAIL

## VT-329

NO SCALE - 01/05

### VOLTEX SECTION BEFORE PLACEMENT

CUT SECTION  
OF VOLTEX



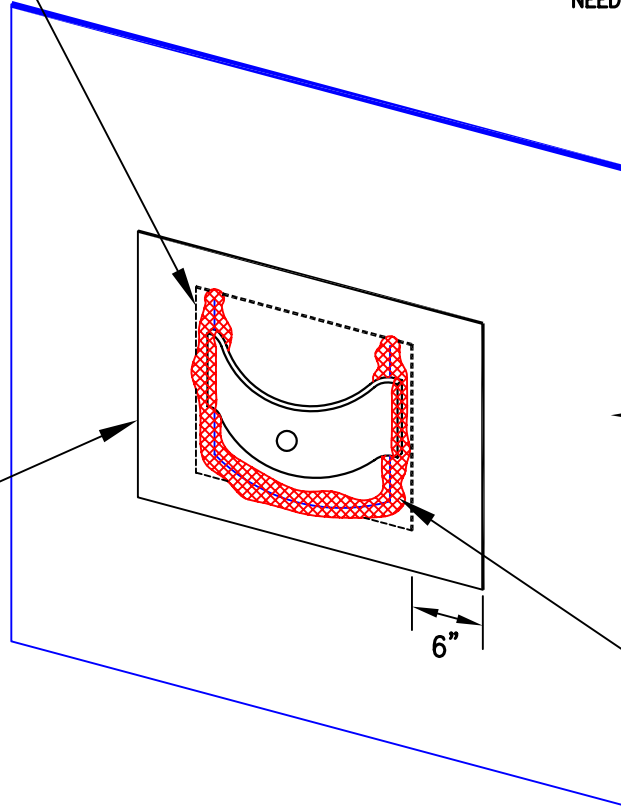
CUT U-SHAPE  
FLAP

FIELD DIMENSION

NEEDS TO OVERLAP MAIN COURSE  
A MINIMUM 6" (150mm)

VOLTEX MAIN COURSE  
CUT-OUT AROUND  
BRACKET

VOLTEX CUT SECTION  
POSITIONED WITH  
U-SHAPE FLAP  
INSTALLED BEHIND  
BRACKET



MAIN VOLTEX  
COURSE

BENTOSEAL 3/4" THICK  
AROUND ENTIRE BASE  
OF BRACKET AND CUT  
U-SHAPE FLAP EDGE  
OF VOLTEX SECTION

This information is based on data and knowledge considered to be true and accurate. The information is offered for the users' consideration and verification, but CETCO does not warrant the results obtained and assumes no liability for the use of the information. The information is subject to change without notice. Please contact CETCO with any questions or deviations from this information. CETCO waterproofing products are not expansion joint materials. Expansion joints should be sealed with a proper expansion joint material by others.



BUILDING MATERIALS GROUP

1500 West Shure Drive Arlington Heights, IL 60004-1440 USA  
tel (847) 392.5800 fax (847) 506.6195 <http://www.cetco.com>  
(800) 527.9948