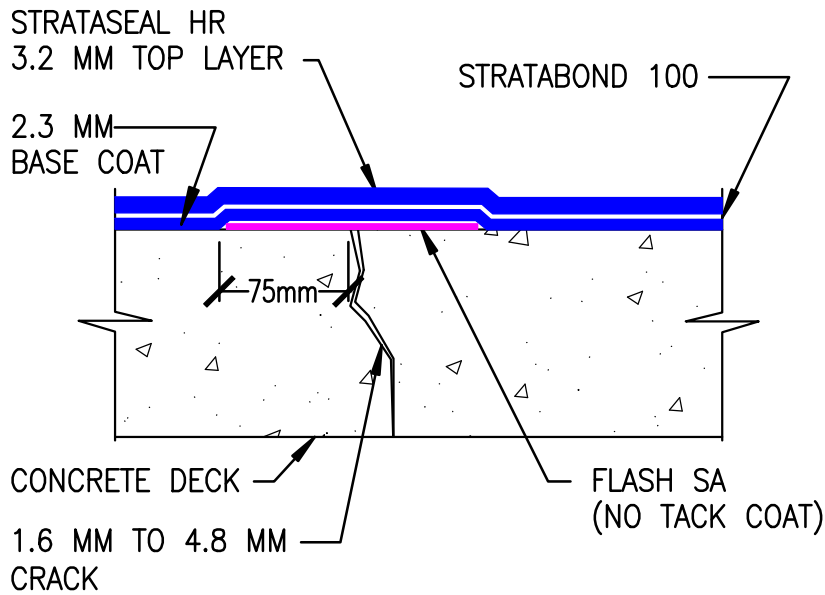
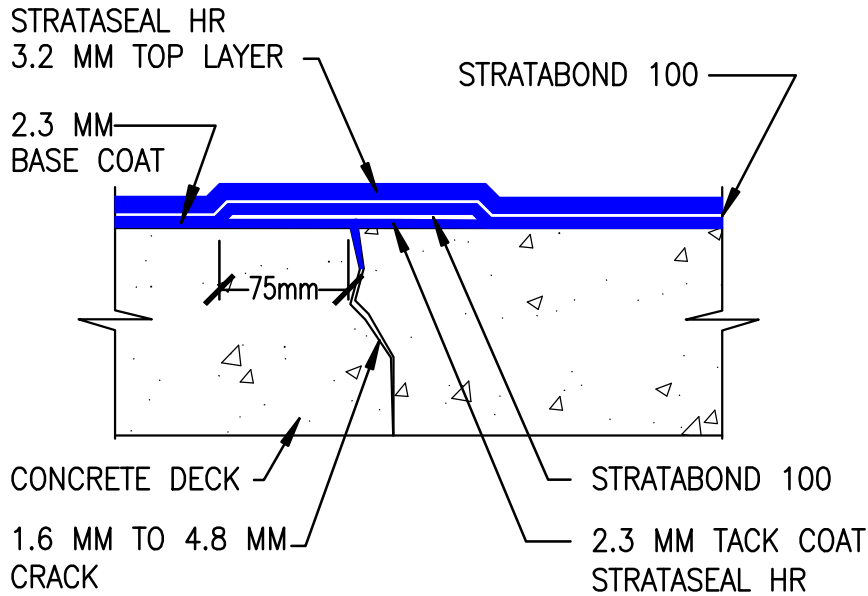


CONCRETE DECK

Treatment of Cracks - 1.6 MM to 4.8 MM

HR-413

No Scale - 07/06



For Technical Advice Contact:

**Peter Stevens or
Alex Valentine**

(0275) 420 225 (PS)
(0275) 420 228 (AV)

The information and data contained herein are believed to be accurate and reliable. This information does not constitute a warranty and should be used in conjunction with the project specification document and Quality Assurance manual supplied by Allco Agencies Ltd. Please contact Allco Agencies Ltd with any questions or deviations from this information. © Allco Agencies Ltd 2006