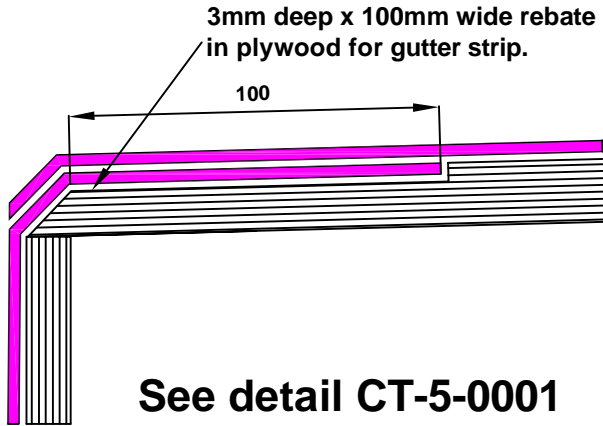
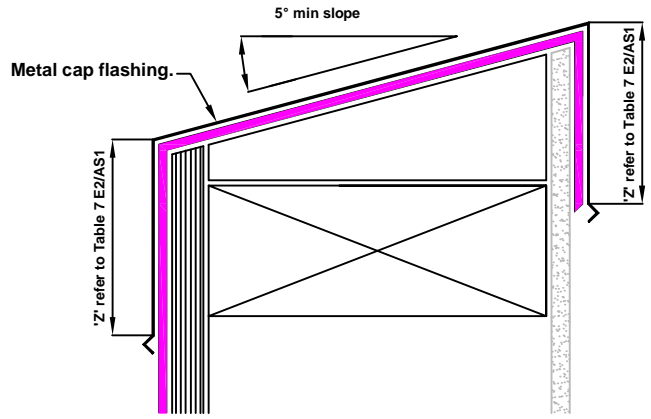


**METAL ROOF INTO
MEMBRANE GUTTER**

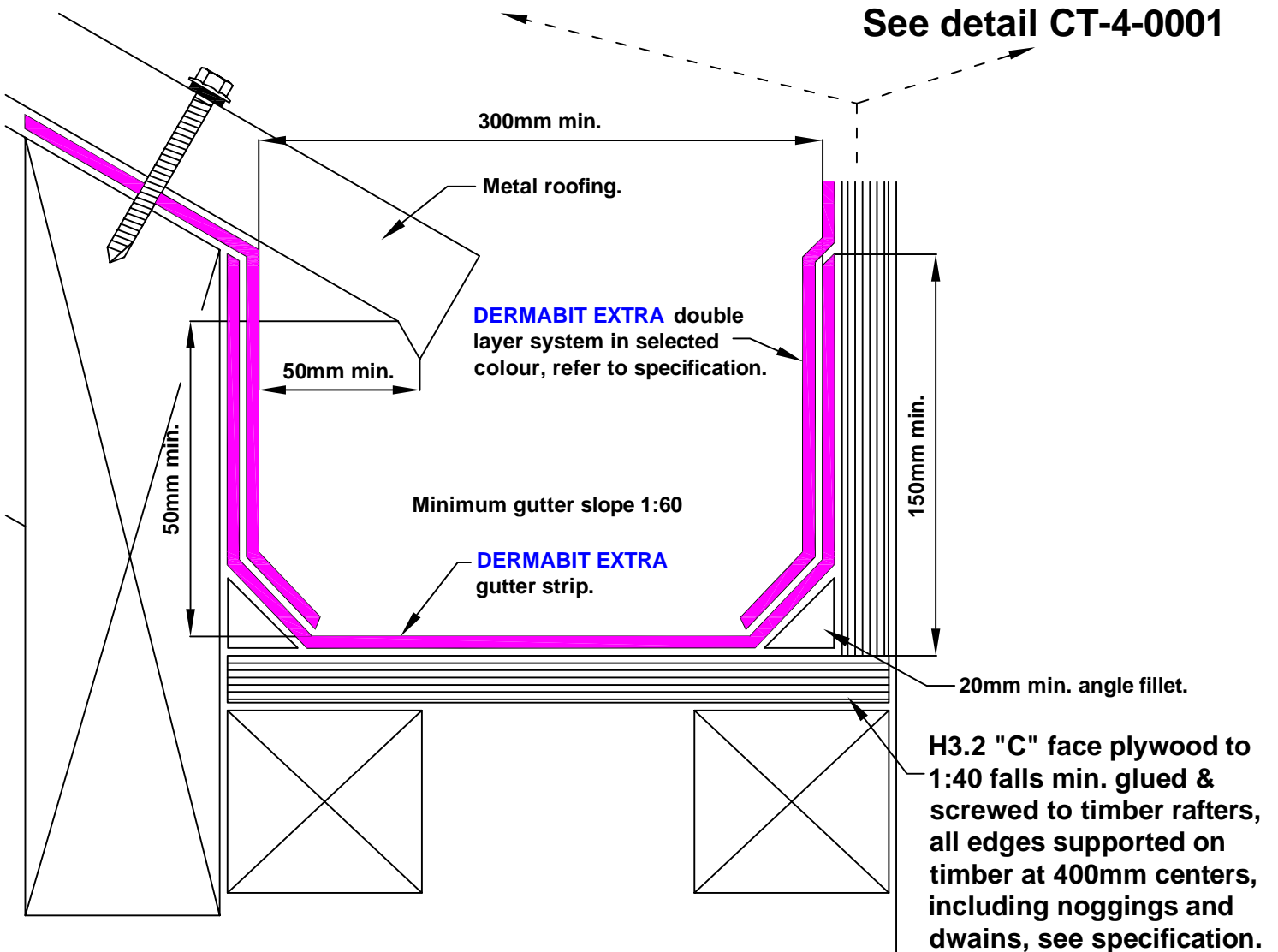
CT-5-0002
No Scale - 11/09



See detail CT-5-0001



See detail CT-4-0001



H3.2 "C" face plywood to 1:40 falls min. glued & screwed to timber rafters, all edges supported on timber at 400mm centers, including noggings and dwains, see specification.



The information and data contained herein are believed to be accurate and reliable. This information does not constitute a warranty and should be used in conjunction with the project specification document and Quality Assurance manual supplied by Allco Agencies Ltd. Please contact Allco Agencies Ltd with any questions or deviations from this information. Allco Agencies Ltd 2006
Reproduced from the Code of Practice for Torch-on Membrane Systems, the Membrane Group New Zealand, Inc



For Technical Advice Contact:
(09) 448-1185 or
info@aliko.co.nz